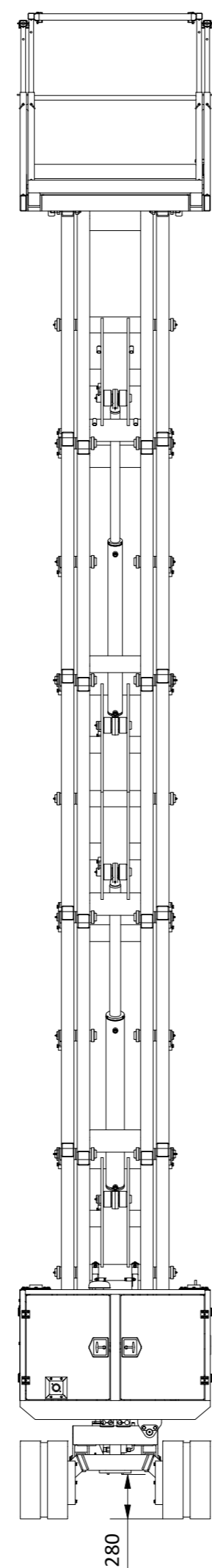
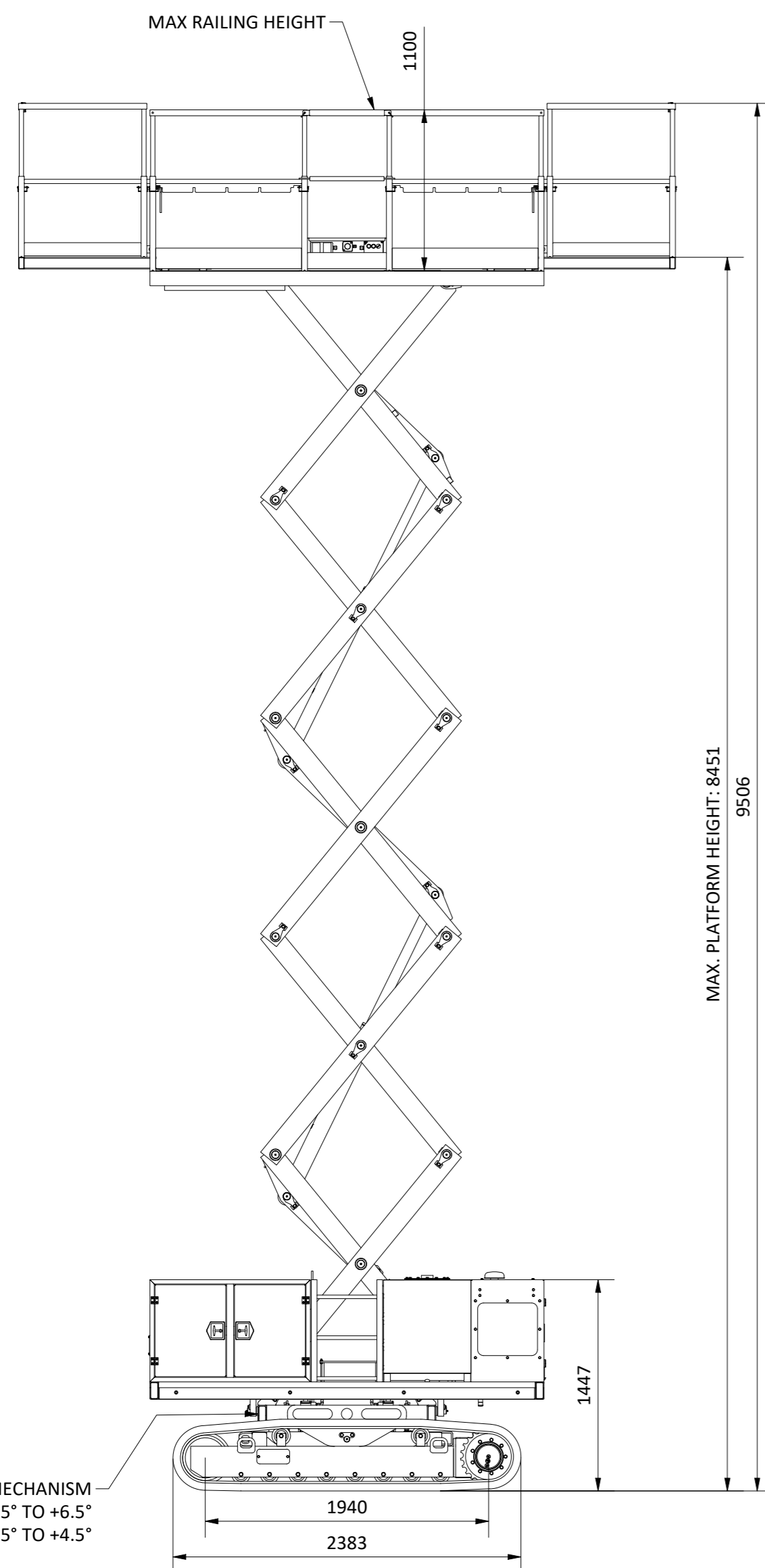
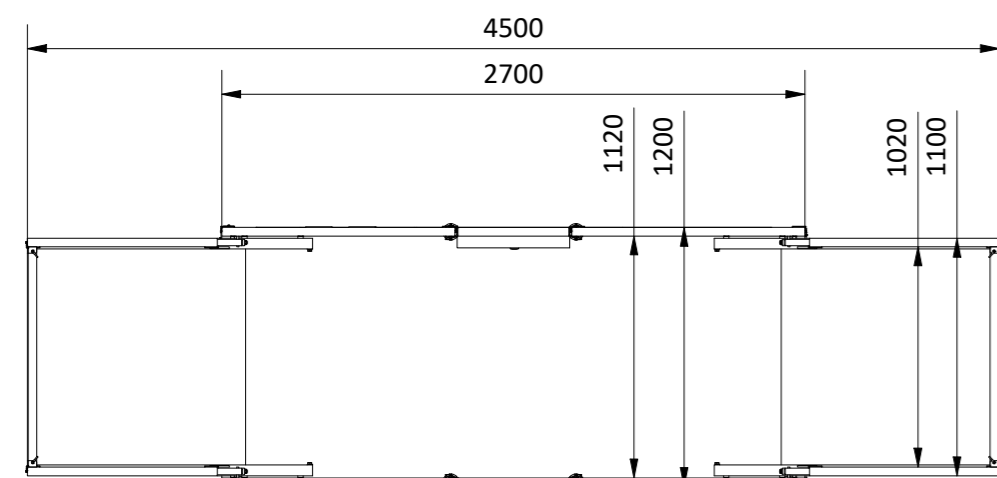
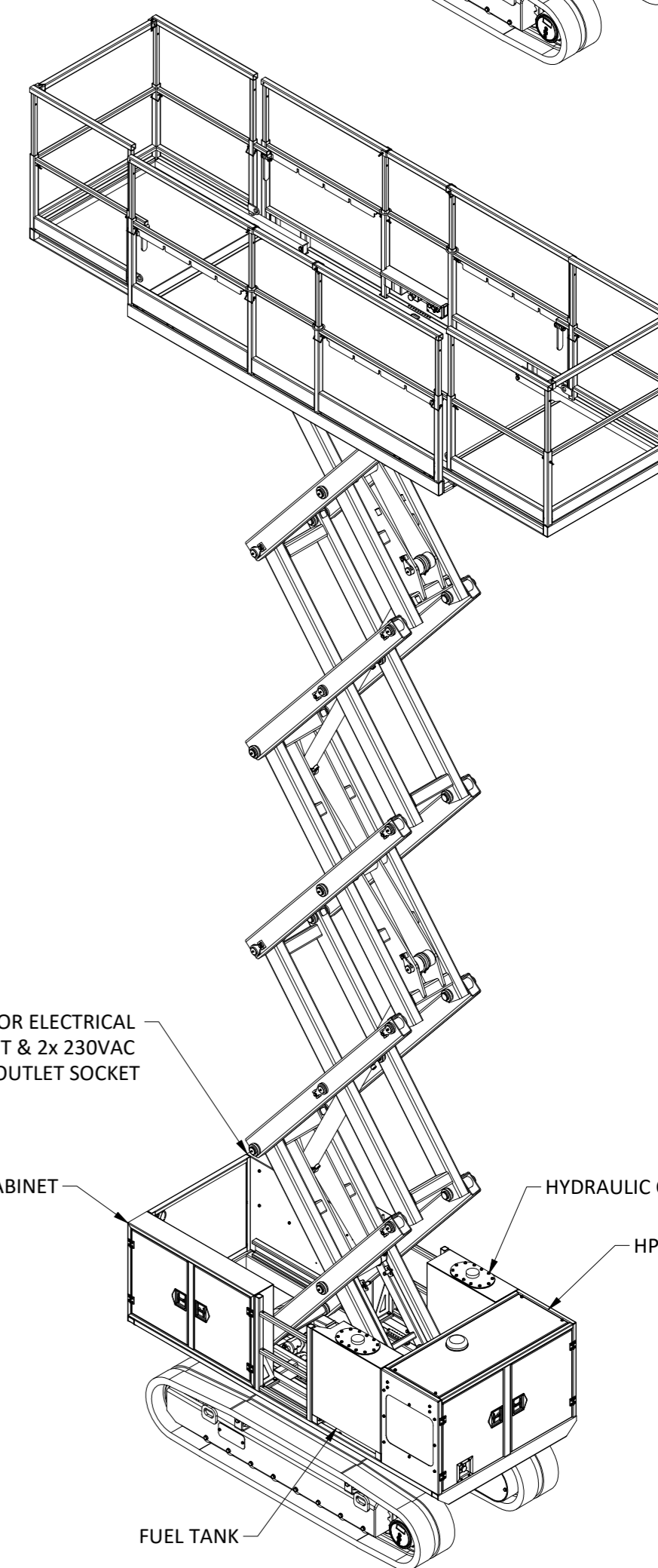
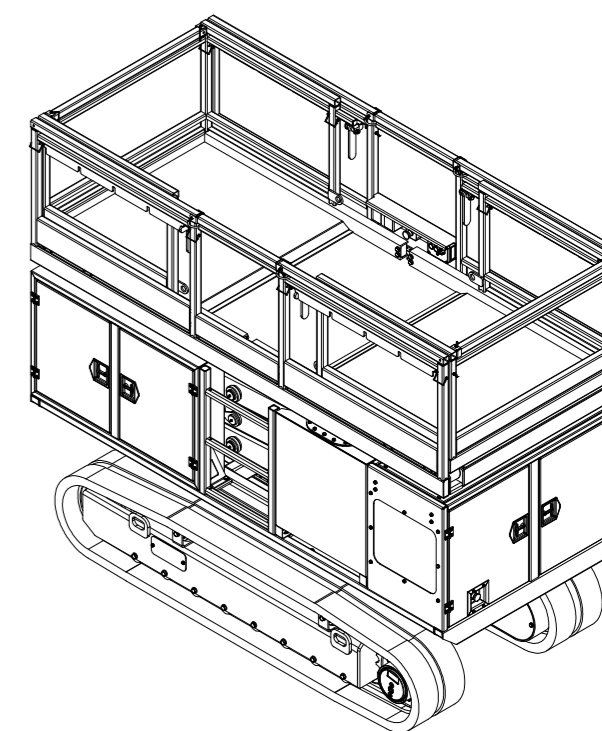
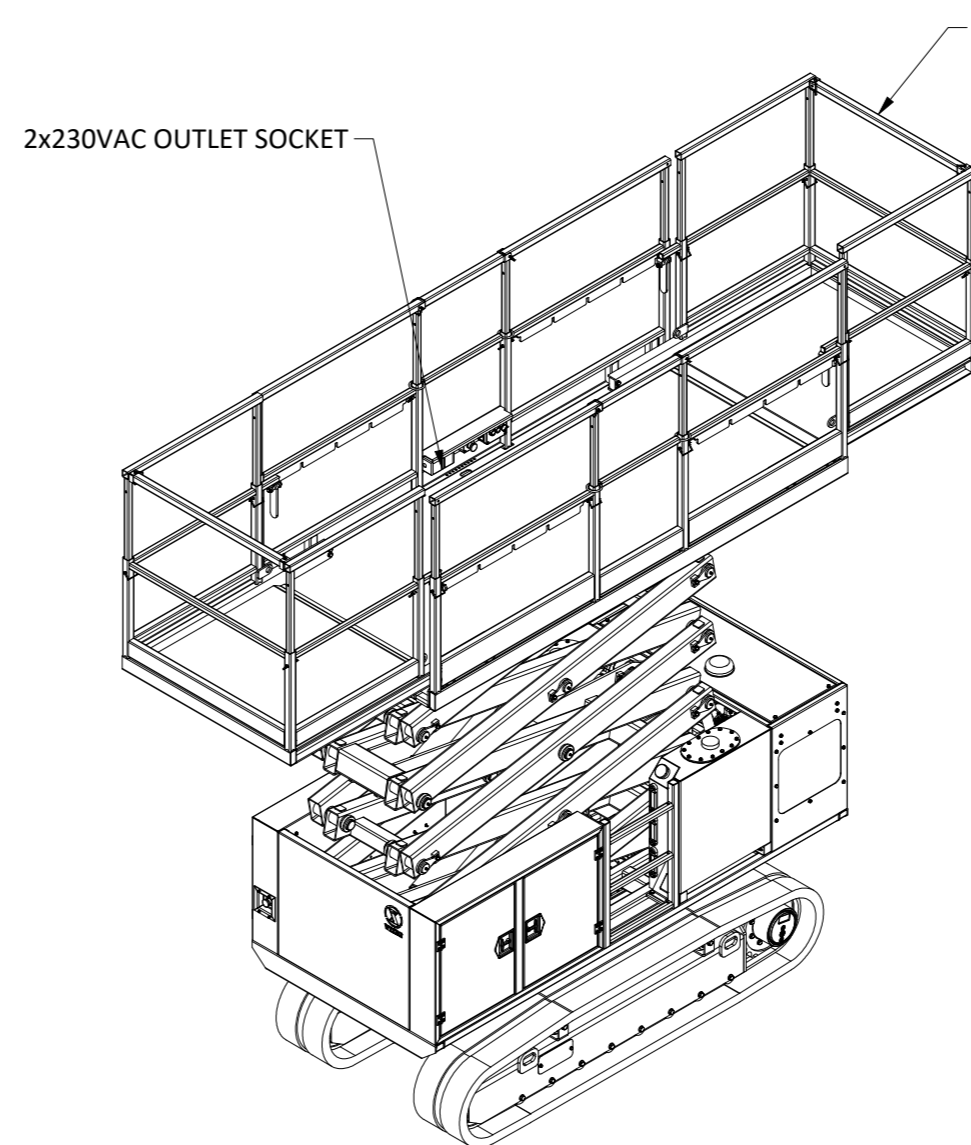


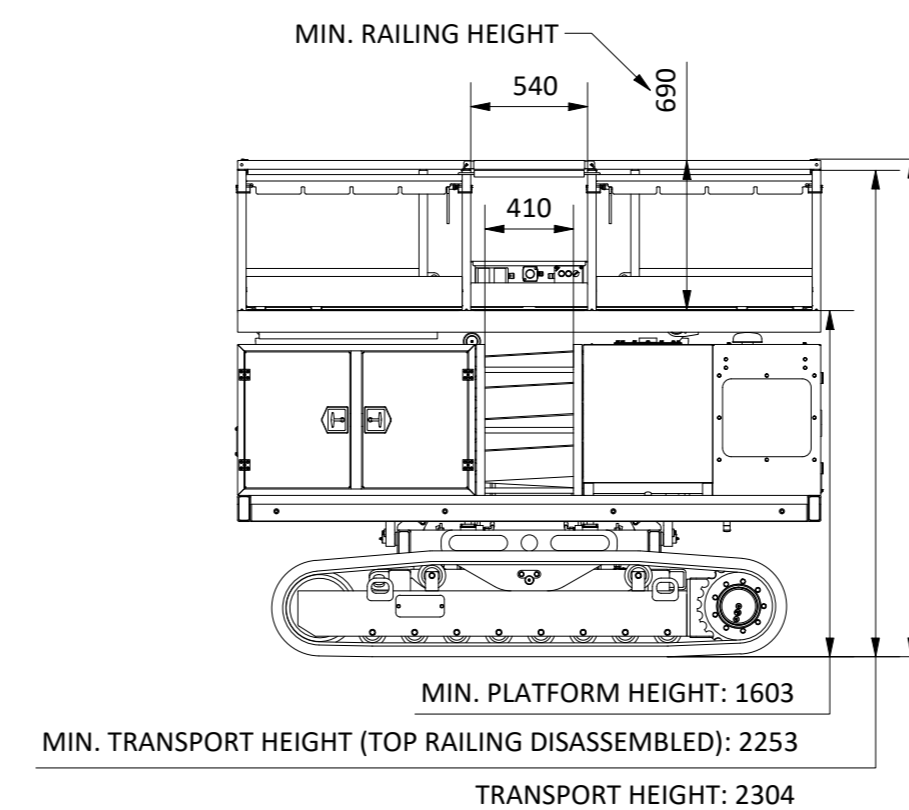
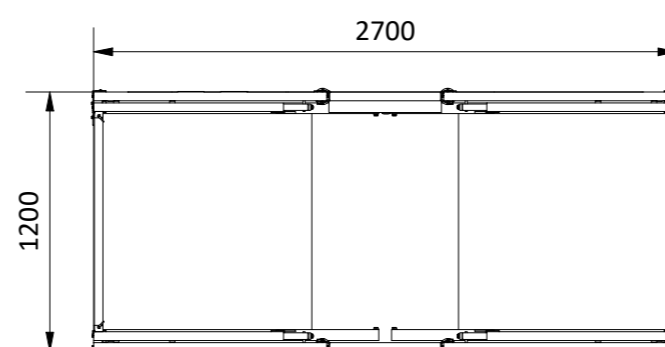
HIGHEST POSITION WITH EXTENDED PLATFORMS



ISOMETRIC VIEW



LOWEST POSITION WITH PLATFORMS RETRACTED



	Project: EP-300-5-L	Notations according: Dimensions ISO 406, Geometrics ISO 1101, Roughness ISO 1302	Tolerances according: Welding ISO 13920-AE, Cutting ISO 9013-4:31, Machining ISO 2768-mK, Plate Thickness EN 10029-AN, Castings ISO 8062-CT11
	Scale: 1 : 35	Author: M. van Wingerden	
	Revision: B	Checked: B. van Beusichem	
	Date: 4-12-2020		