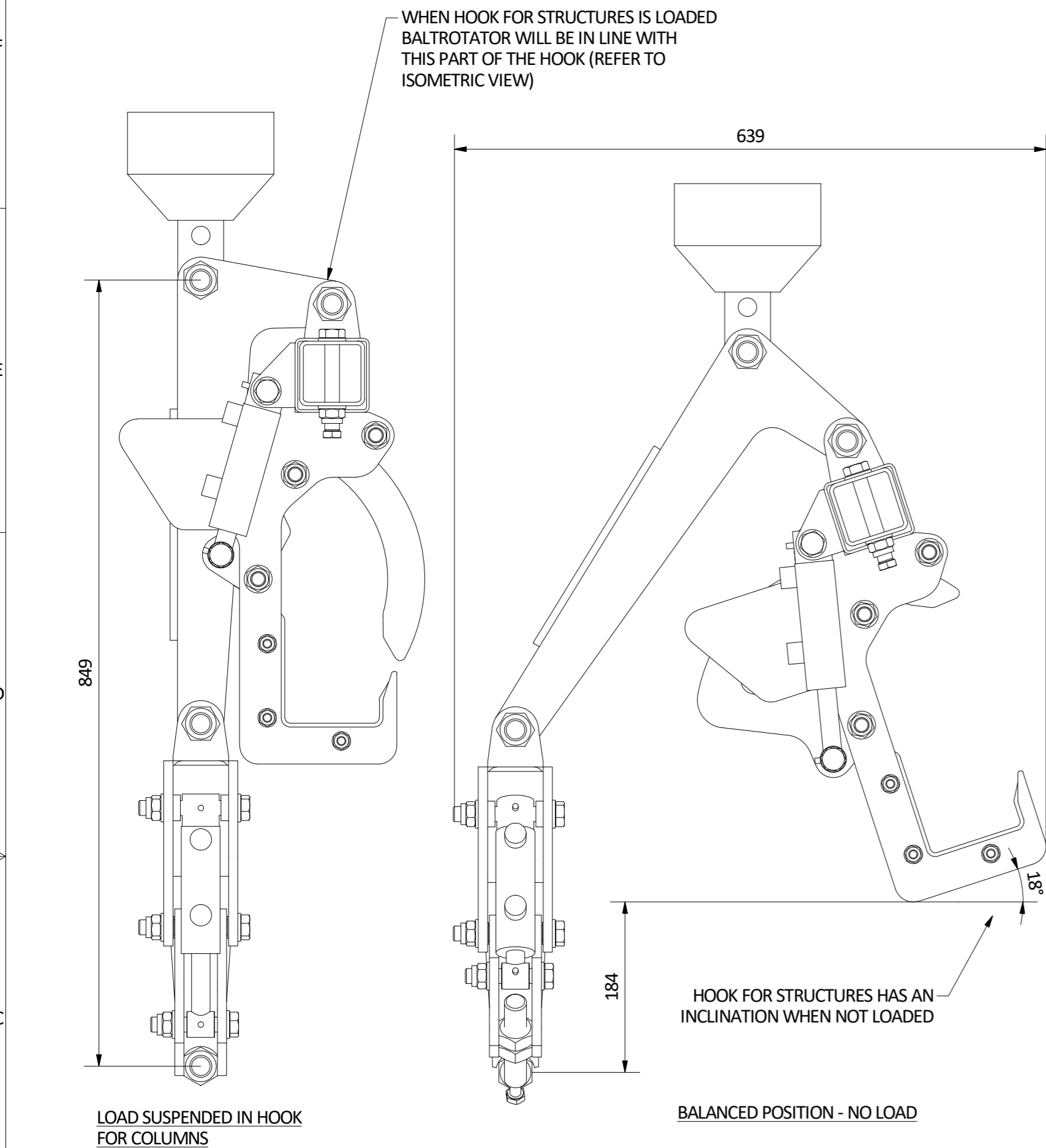
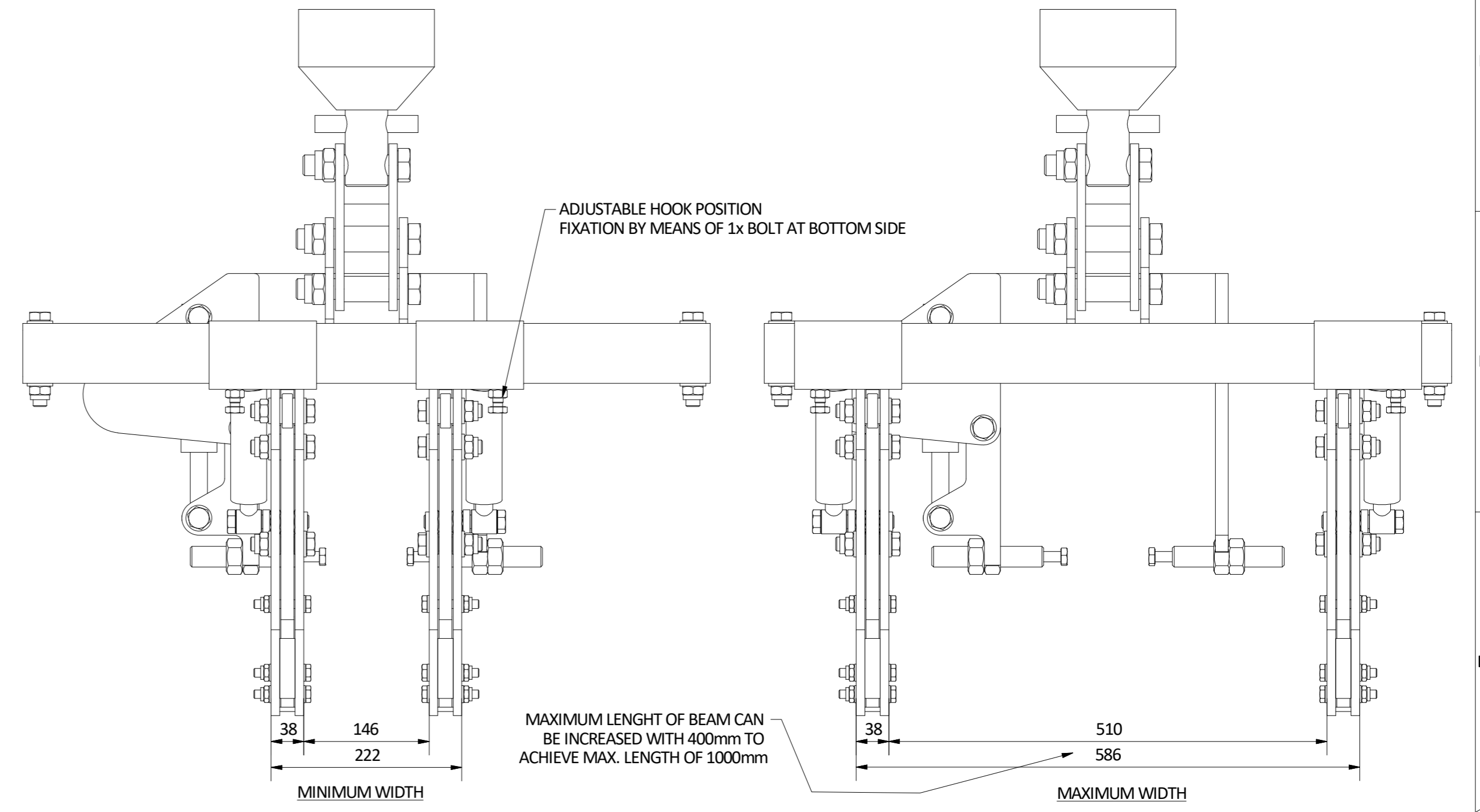


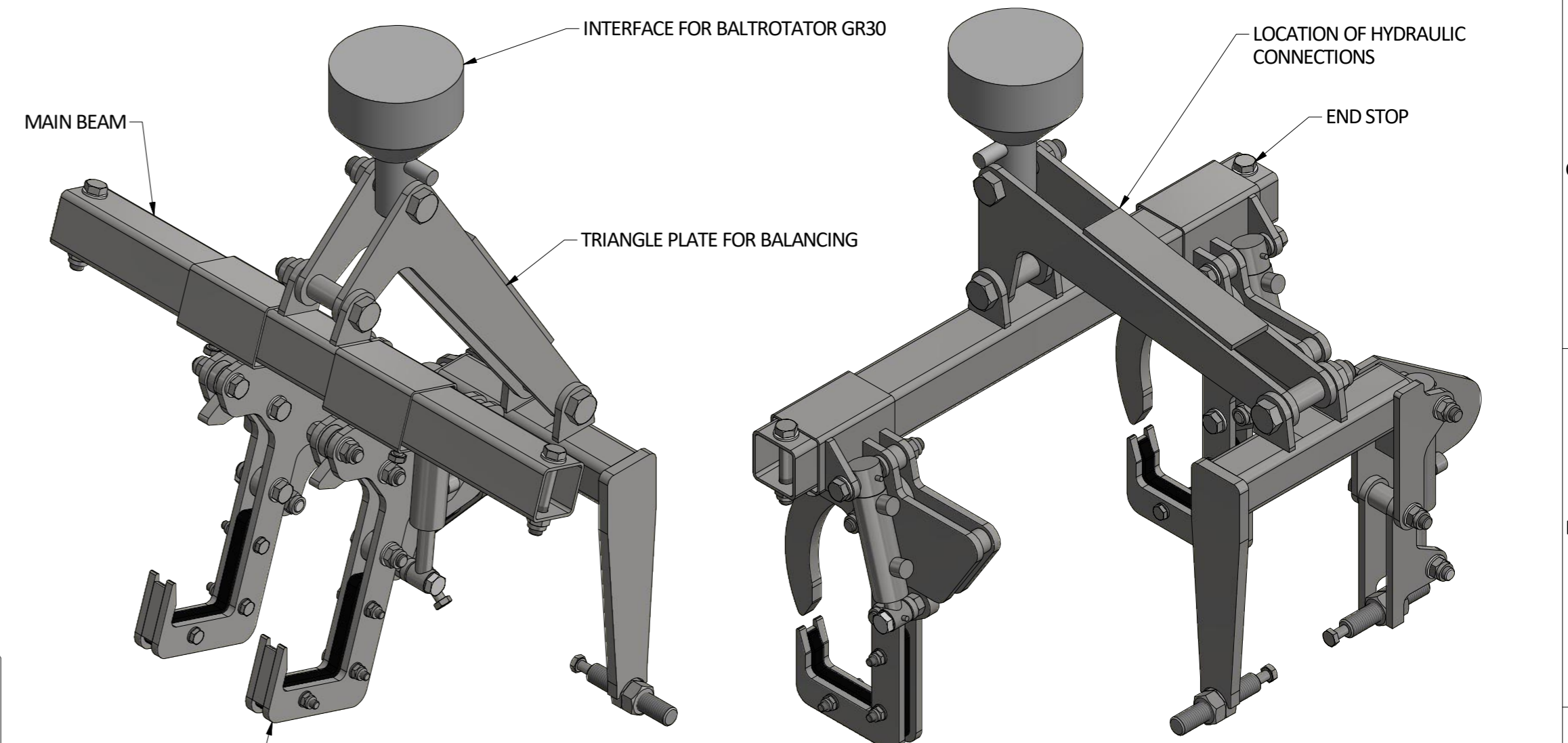
POSITIONS DURING OPERATIONS



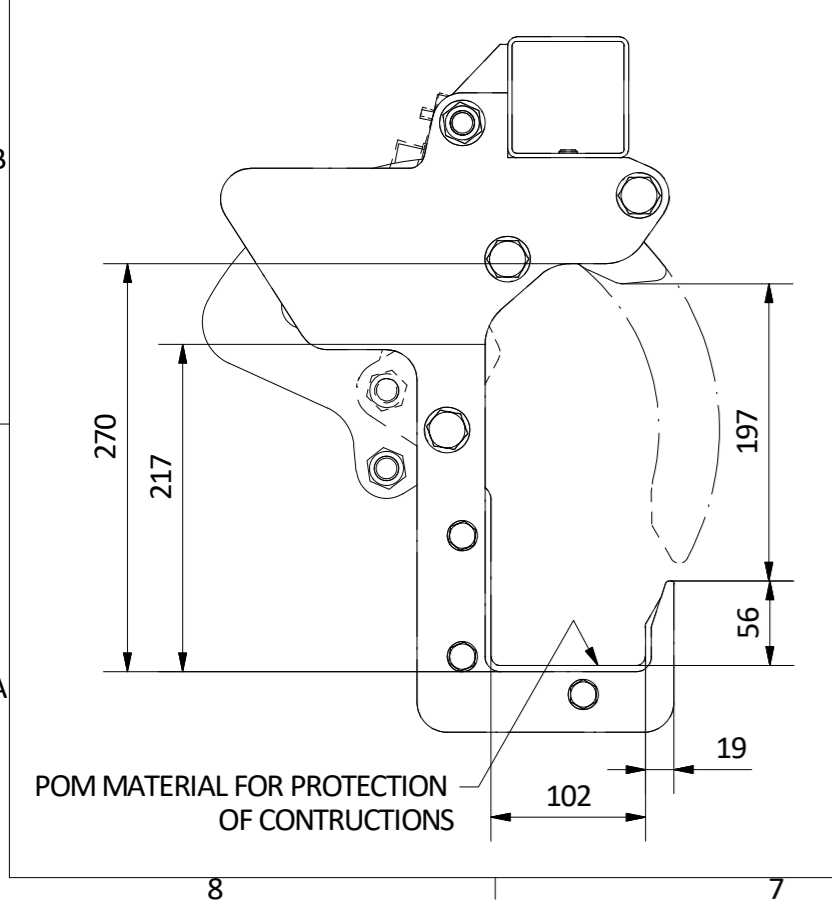
POSITION HOOKS



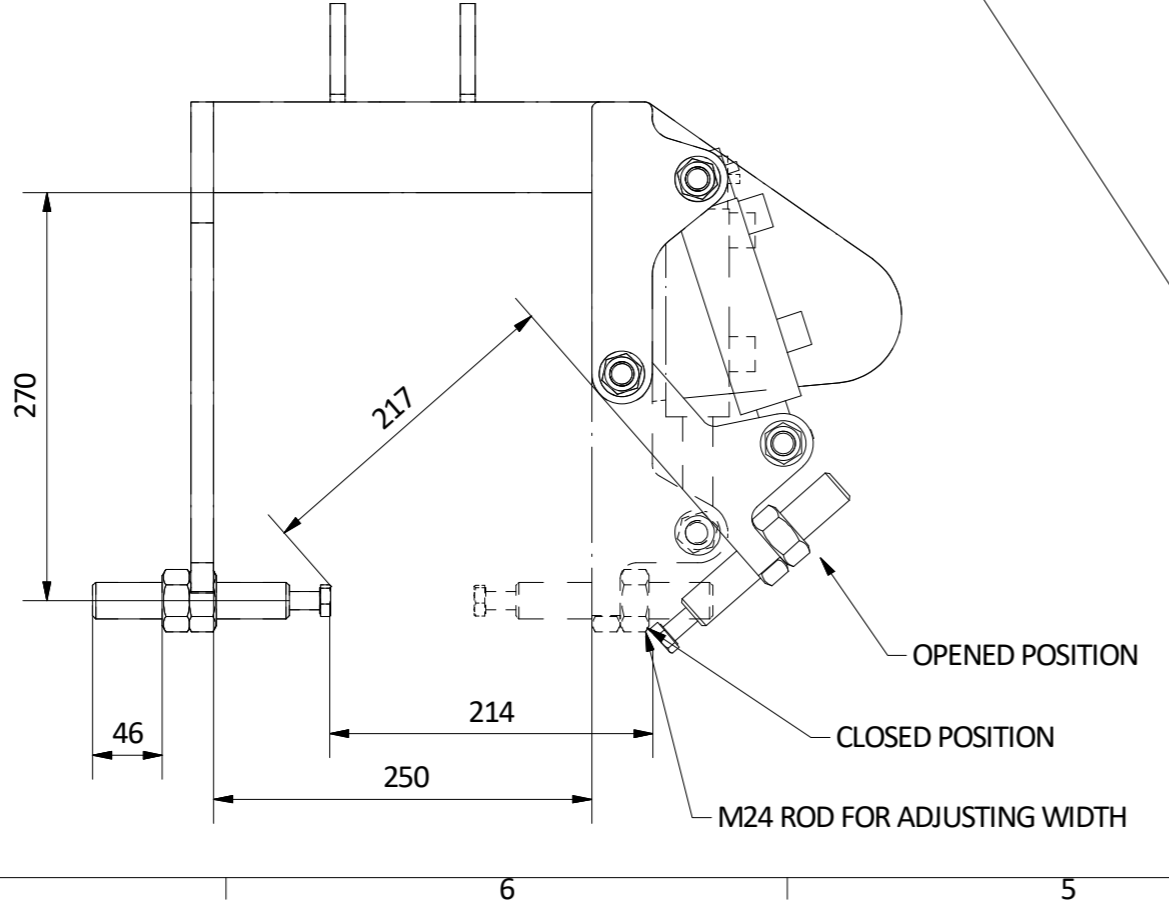
ISOMETRISCH



HOOK FOR STRUCTURES



HOOK FOR COLUMNS



DESIGN PARAMETERS

| | |
|-------------------------------------|---------------|
| WORKING LOAD LIMIT INDIVIDUAL HOOK: | 300kg / 3000N |
| WORKING LOAD LIMIT TOTAL: | 300kg / 3000N |
| OWN WEIGHT: | 60kg |
| MAX. OUT OF PLANE ANGLE: | +/- 5° |
| LIFTING OF PERSONNEL: | NOT ALLOWED |

DESIGN CAN BE SUBJECT TO MINOR CHANGES AS THE DESIGN PROGRESSES

| | | | | |
|-------------------|---------------------------|--|---|-----------------------|
| Projection method | Project: CLT-300-1 | Notations according: | Dimensions ISO 406 Geometrics ISO 1101 Roughness ISO 1302 | Tolerances according: |
| Scale: 1:5 | Revision: B | Author: M. van Wingerden | Welding ISO 13920-AE Cutting ISO 9013-4:31 Machining ISO 2768-mK Plate Thickness EN 10029-AN Castings ISO 8062-CT11 | |
| Date: 19-1-2019 | Checked: B. van Beusichem | Drawing title: Construction Lifting Tool - General arrangement | | A2 1/1 |

Wixbe b.v.